

Current part is item (7) on diagram. Available at www.oshkoshequipment.com

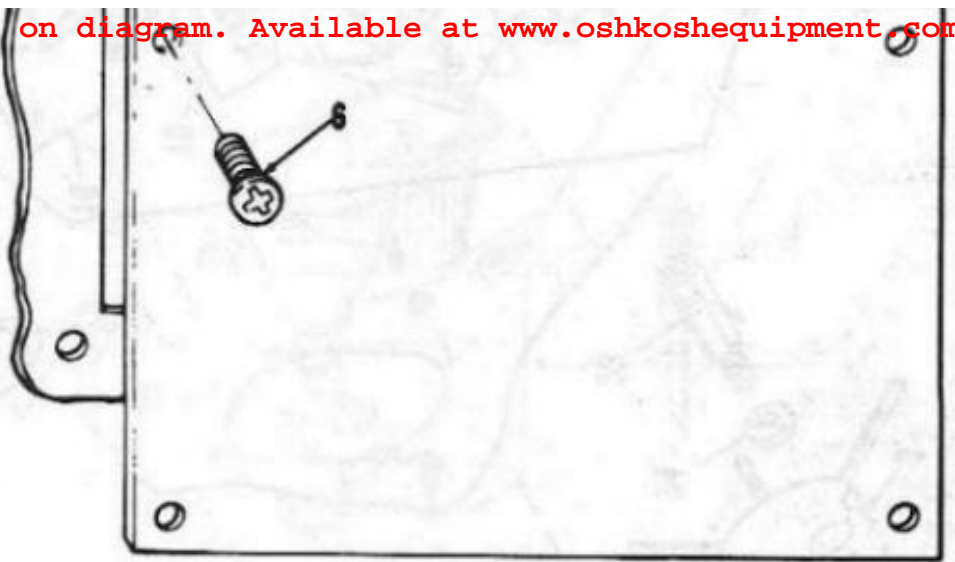
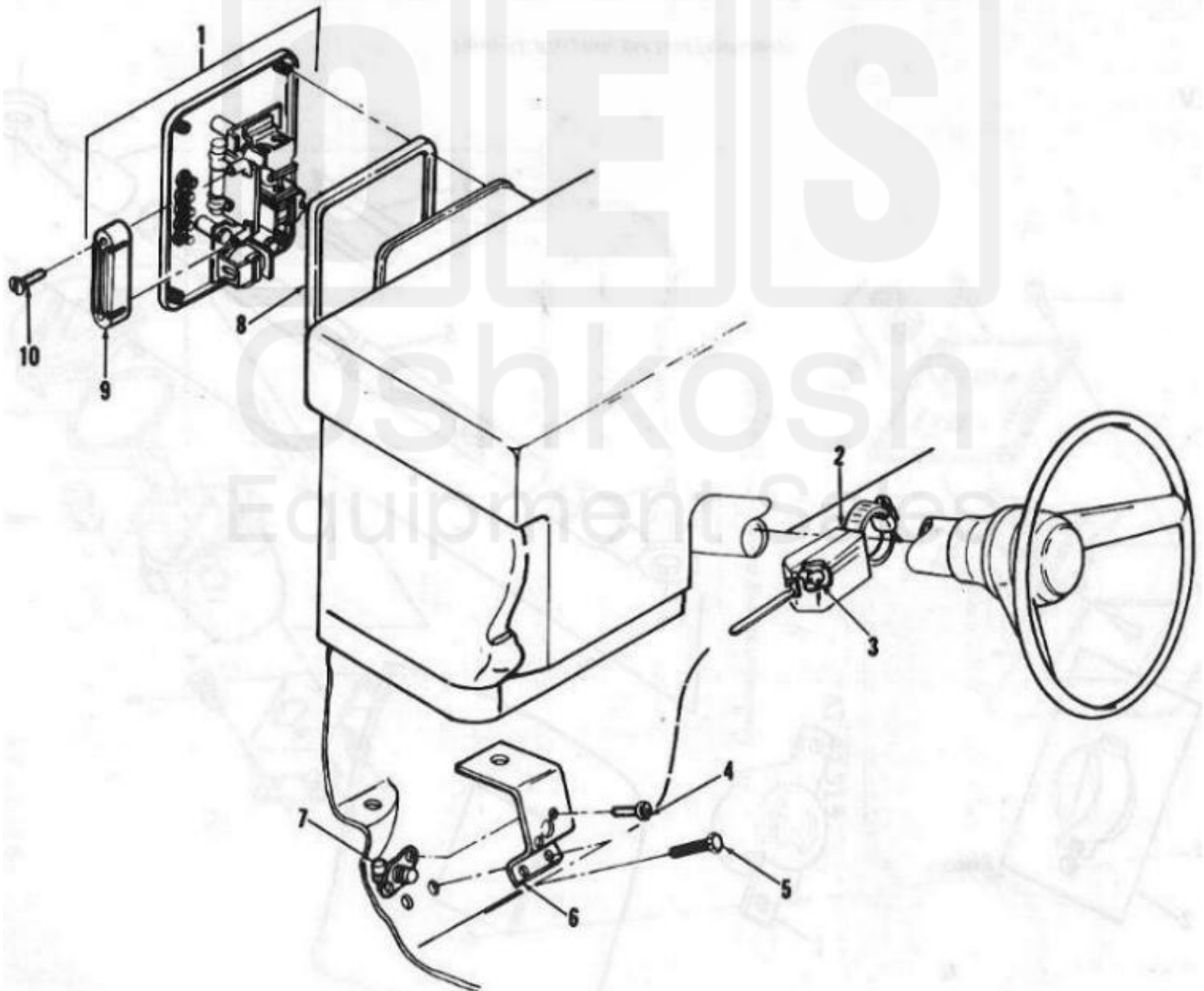


Figure 41: Circuit Breakers (Ambulance)



Current part is item (7) on diagram. Available at www.oshkoshequipment.com

Figure 42: Directional Signal and Dimmer Switch

Current part is item (7) on diagram. Available at www.oshkoshequipment.com

(1) SMR code	(2) Federal Stock Number	(3) Description Reference Number & Mfg. Code Usable on Code	(4) Unit of meas	(5) Qty inc in unit	(6) 30-day DS maint. allowance			(7) 30-day GS maint. allowance			(8) 1-yr alw per 100 equip cntgcy	(9) Depot maint alw per 100 equip	(10) Illustration		
					(a) 1-20	(b) 21-50	(c) 51-100	(a) 1-20	(b) 21-50	(c) 51-100			(a) Figure No.	(b) Item No.	
		0608 MISCELLANEOUS ITEMS Continued													
PO		RELAY, DIRECTIONAL SIGNAL SWITCH 10944542 (19207)	EA	1	*	*	*	*	*	*			42	1	
PO	5930-928-6163	SWITCH, DIRECTIONAL SIGNAL MS53051 (96906)	EA	1	*	*	*	*	*	*			42	2	
PO	6240-155-8714	LAMP, INCANDESCENT, TURN SIGNAL INDICATOR MS25231-31 (96906)	EA	2	*	*	*	*	*	*			42	3	
PO	5305-285-5278	SCREW AND LOCK WASHER 454789 (24617)	EA	2	*	*	*	*	*	*			42	4	
PO		SCREW AND LOCK WASHER, DIMMER SWITCH BRACKET 451953 (24617)	EA	3	*	*	*	*	*	*			42	5	
X20		BRACKET, DIMMER SWITCH 11657848 (19207)	EA	1	*	*	*	*	*	*			42	6	
PO	2590-801-2355	SWITCH, FOOT DIMMER MS53000-1 (96906)	EA	1	*	*	*	*	*	*			42	7	
PO	2590-953-2177	SEAL, RUBBER DISTRIBUTOR BOX 8683543 (19207)	EA	1	*	*	*	*	*	*			42	8	
PO	2590-050-8821	FLASHER, TURN INDICATOR 7050005 (19207)	EA	1	*	*	*	*	*	*			42	9	
PO	5310-696-5172	SCREW AND LOCK WASHER 8328424 (19207)	EA	2	*	*	*	*	*	*			42	10	
PO		RECEPTACLE. POWER OUTLET 8402359 (19207) CA	EA	1	*	*	*	*	*	*			43	1	
X20		PLATE, COVER POWER OUTLET 11662679(19207) CA	EA	1	*	*	*	*	*	*			43	2	
PO	5305-883-0628	SCREW, MACHINE, RECEPTACLE MS24617-21 (96906) CA	EA	2	*	*	*	*	*	*			43	3	
MFO		WIRE ASSEMBLY RECEPTACLE, GROUND 11657990-1 (19207) CA	EA	1									43	7	

Current part is item (7) on diagram. Available at www.oshkoshequipment.com